

# UtilityScoot Assembly Diagram

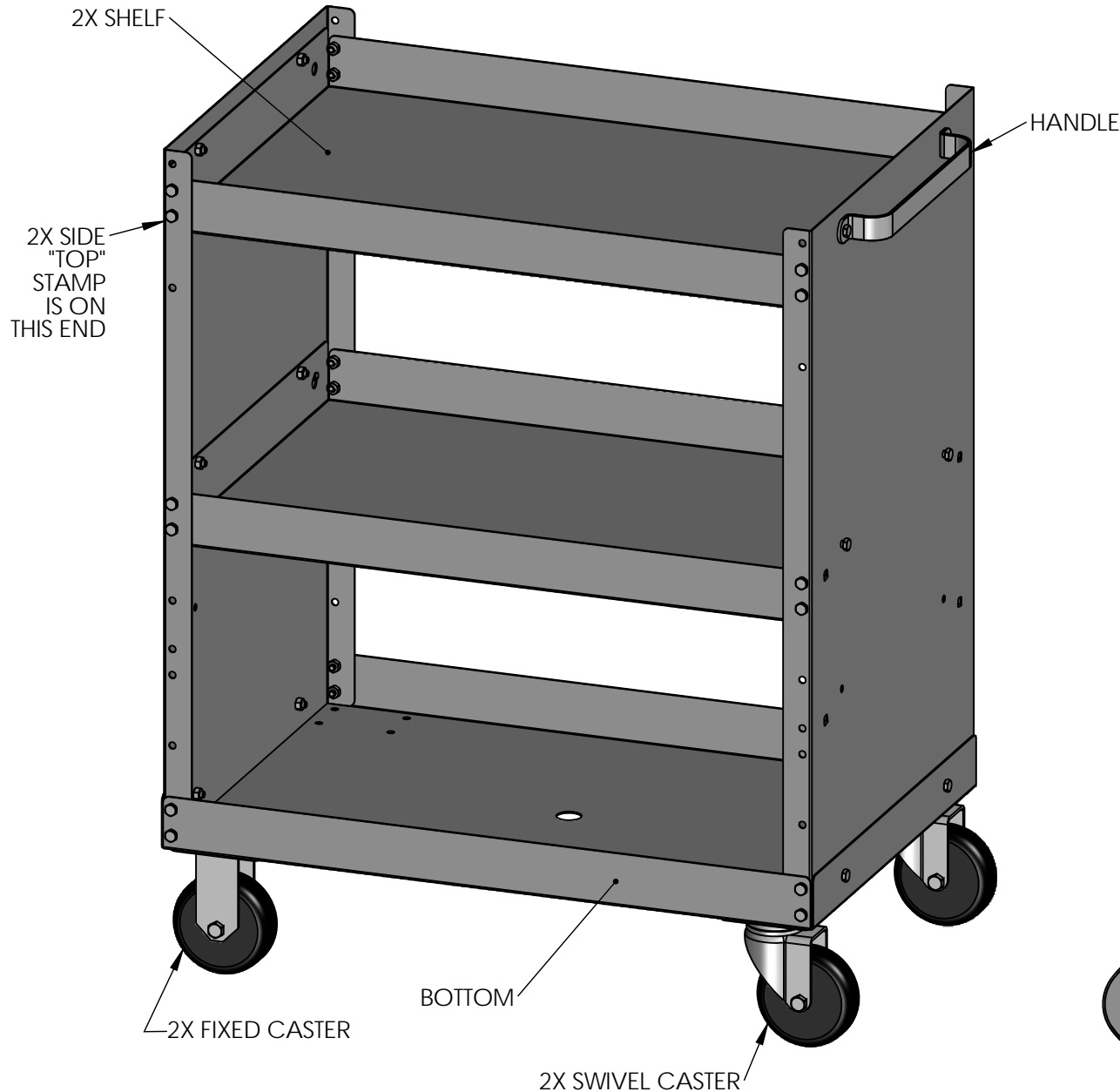
## Huot UtilityScoot Assembly Instructions

1. Assemble entire unit BEFORE tightening nuts and bolts completely. Bolts should be inserted from the outside with nuts on the inside, except the casters.

2. Position bottom with the flanges up, on a flat surface.

3. Both sides are identical. Insert a side inside the bottom with the end marked "TOP" up. Insert bolts into the corresponding holes and hand tighten with the nuts provided. Repeat this step for second side.

4. Both shelves are identical. There are two possible positions for the middle shelf. Position the shelf in the desired location and hand-tighten the fasteners.



5. Install the remaining shelf in the top position as shown, along with the handle, and hand-tighten the fasteners.

6. Tip the cart on its side and fasten the casters to the bottom. The swivel casters should be on the same end as the handle. Stand the cart upright and ensure the cart is square. (A carpenter's square is recommended.) **TIGHTEN ALL NUTS AND BOLTS.**

7. Your UtilityScoot is now ready for use.

8. Check all fasteners periodically to assure tightness.

If any parts are missing or if you require assistance please call us at (651) 646-1869



HUOT MFG. CO. Ph: (651) 646-1869  
550 N Wheeler St. Fax: (651) 646-0457  
St. Paul, MN 55104 www.Huot.com