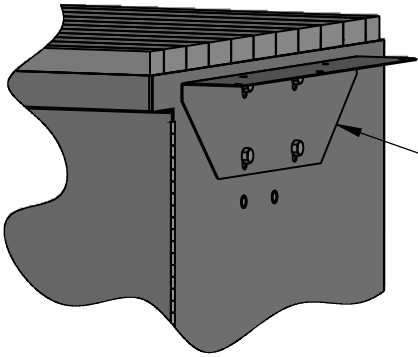


Work-Surface Extension Assembly

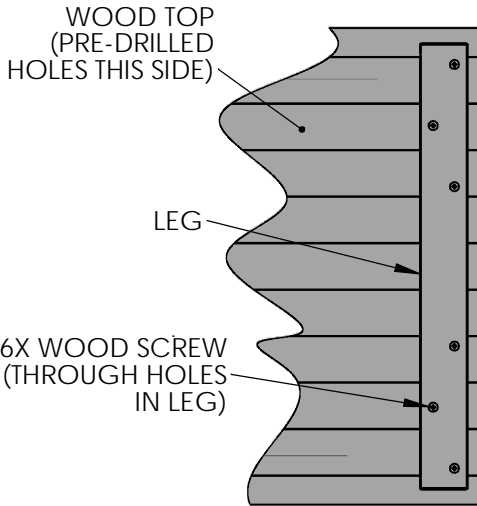
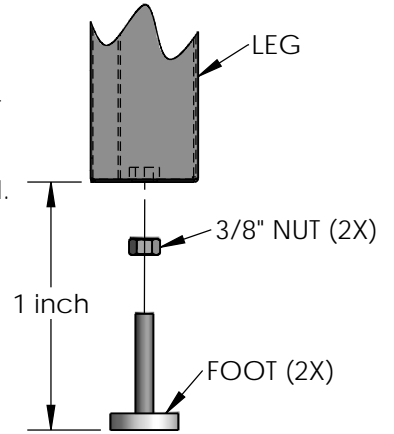
- * ALL MOUNTING HARDWARE IS INCLUDED
- * 2 PEOPLE ARE REQUIRED FOR SOME STEPS

TOOLS REQUIRED:
 A HAND DRILL WITH ADJUSTABLE CLUTCH
 5/32" NUTDRIVER BIT
 #2 PHILLIPS SCREWDRIVER (OR BIT)
 9/16" OPEN END WRENCH
 7/32" HEX WRENCH



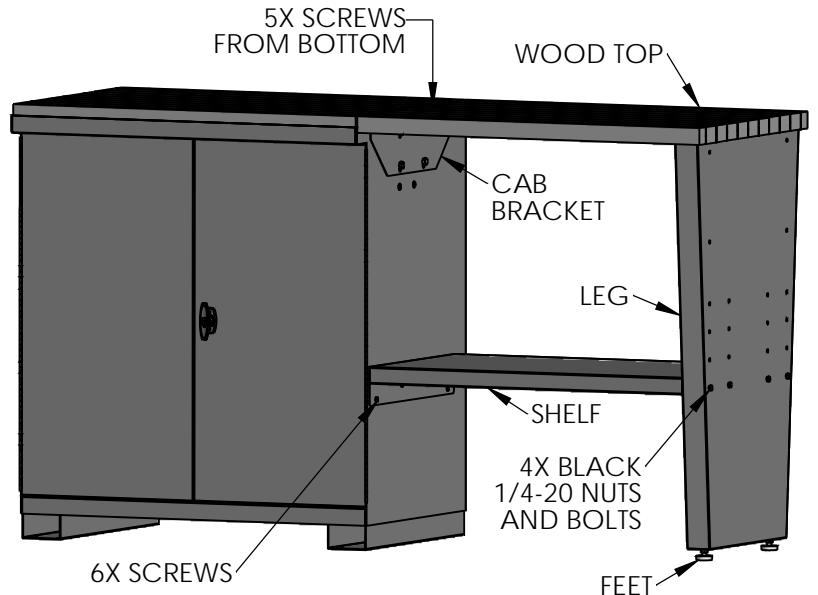
1) CHOOSE WHICH SIDE OF YOUR WORKSTATION YOU WILL MOUNT THE EXTENSION TO. LOOSELY MOUNT CAB BRACKET TO WORKSTATION WITH FOUR 3/8-16 BOLTS. (DO NOT TIGHTEN)

2) THREAD THE TWO 3/8" LOCKNUTS ONTO THE TWO FEET AND THREAD THE FEET INTO THE BASE OF THE LEG. LEAVE 1" PROTRUDING. DO NOT TIGHTEN.



3) ON A PROTECTIVE SURFACE, LINE UP THE LEG WITH THE 6 PRE-DRILLED HOLES AND FASTEN THE LEG TO THE WOODEN TOP USING SIX WOOD METAL SCREWS. CAUTION--DO NOT DRIVE SCREWS WITH EXCESSIVE FORCE OR DAMAGE TO THE WOOD TOP MAY OCCUR.

4) WITH ASSISTANCE, SET TOP (WITH MOUNTED LEG) IN PLACE ON CAB BRACKET. ADJUST BRACKET VERTICALLY SO THAT TOP IS FLUSH WITH TOP OF WORKSTATION & POSITION TO MATCH HORIZONTALLY AND TIGHTEN THE 4 BOLTS. ADJUST HEIGHT OF FEET (ON LEG) SO THAT BOTH TOP SURFACES ARE ON THE SAME PLANE, THEN TIGHTEN THE LOCKNUTS ON THE FEET. INSTALL FIVE SCREWS THROUGH CAB BRACKET INTO THE PRE-DRILLED HOLES IN WOOD TOP. CAUTION--DO NOT DRIVE SCREWS WITH EXCESSIVE FORCE OR DAMAGE TO THE WOOD TOP MAY OCCUR.



5) TEMPORARILY PROP SHELF AT DESIRED LOCATION AND FASTEN TO LEG USING FOUR BLACK 1/4-20 BOLTS AND NUTS. MEASURE DISTANCE FROM TOP TO SHELF AT THE LEG AND LOCATE THE OTHER END OF THE SHELF AT THE SAME DISTANCE. USING A HAND DRILL AND 5/32" NUTDRIVER BIT, INSTALL SIX SELF-DRILLING SHEET METAL SCREWS THROUGH THE HOLES. CAUTION--AS SOON AS THE DRILL PIERCES THE METAL, LET GO OF THE TRIGGER. THEN COMPLETE INSERTION SLOWLY AND WITH MINIMAL FORCE UNTIL TIGHT.

6) TIGHTEN ALL FASTENERS. CHECK PERIODICALLY FOR TIGHTNESS.



HUOT MFG. CO.
 550 N Wheeler St.
 St. Paul, MN 55104

Ph: (651) 646-1869
 Fax: (651) 646-0457
 www.Huot.com